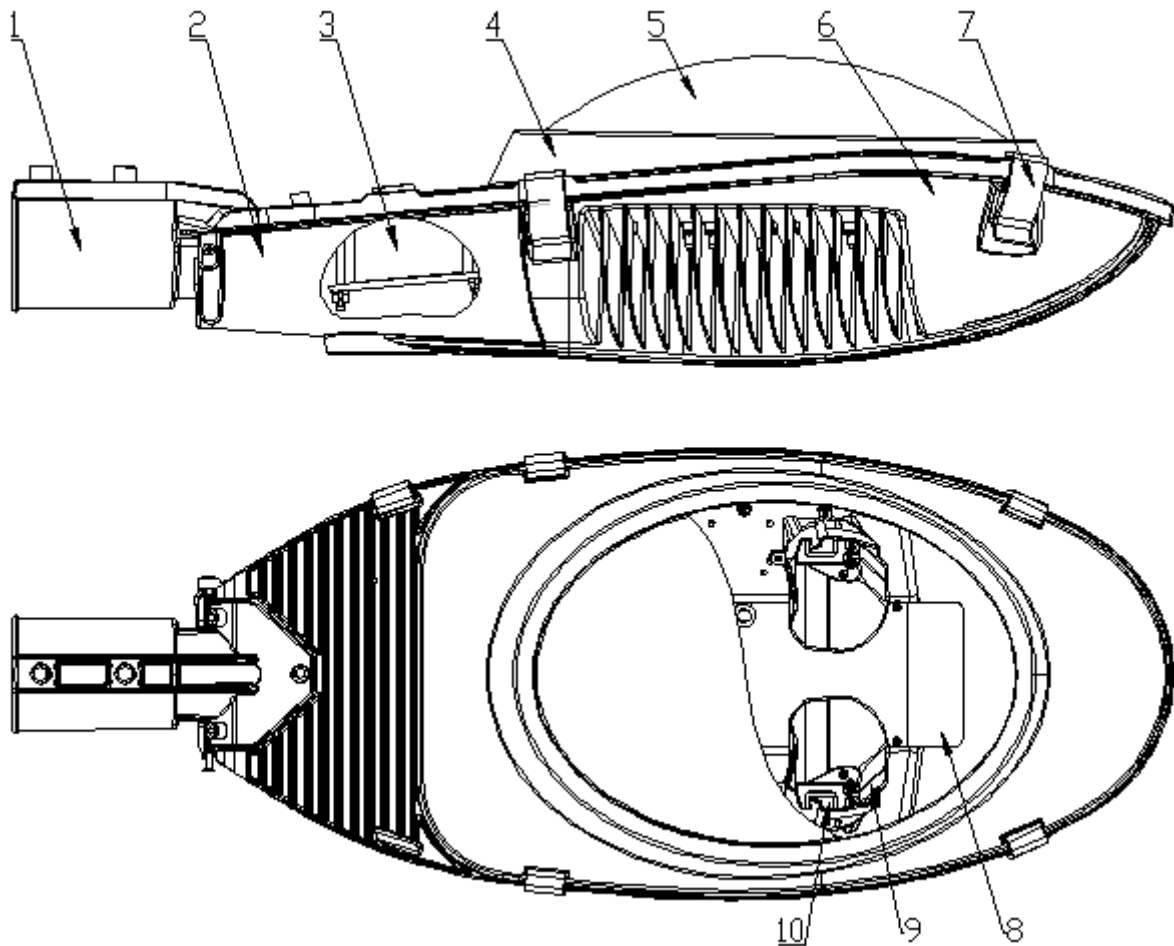


**LED Street light ECO-650LD SERIES****Manual****INTRODUCTION:**

1. **LED SOURCES:** Use the powerful LED as the light source with our own intellectual property rights for LED integrated encapsulation. The light source can be used around 50000 hours continuously. Their life-span is more than 10 years. That means LED street lights needn't change their light source; 0 lumens depreciation.
2. **HOUSING BODY:** Reasonable structure, Perfect appearance and with the feature of good anti-hot, anti-humidity, and air-proof.
3. Start quickly, high light efficiency, clear eye-sight. No flicker. Operate Safely. No damages to eyes and skin.
4. ECO650LD Series Street light can be used in the City road, Residential district, Industry garden, Pavement, Square, Garden, School, and Villa and so on.

**Feature:**

- 1 . High efficiency and save energy: compare to the traditional light, save about 50%;
2. Long life span: 50000 hours
3. Good for health: No ultraviolet rays and infrared radiation;, no radiation, Gloss stability. without affecting color life by years
- 4 . Environment friendly: not harmful elements such as mercury and lead.
5. It has two kinds installation method- According to 4.4

**Structure:**

1.pole connector 2.back cover body 3. Power supply 4. Glass cover 5.woven design glass 6. Light body 7.Fastener 8.sunshade 9.reflector 10 LED sources and others.

**Parameter:**

Item	Model	size	LED quantity	material	weight (Kg)	IP Rating
1	ECO650LD55	<b>655 ×295 ×202</b>	2	Die-casting aluminum +tempered glass	6.5	IP65
2	ECO650LD66	<b>655 ×295 ×202</b>	2		6.5	IP65
3	ECO650LD78	<b>655 ×295 ×202</b>	2		6.5	IP65
4	ECO650LD85	<b>655 ×295 ×202</b>	2		6.5	IP65
5	ECO650LD90	<b>655 ×295 ×202</b>	4		6.5	IP65

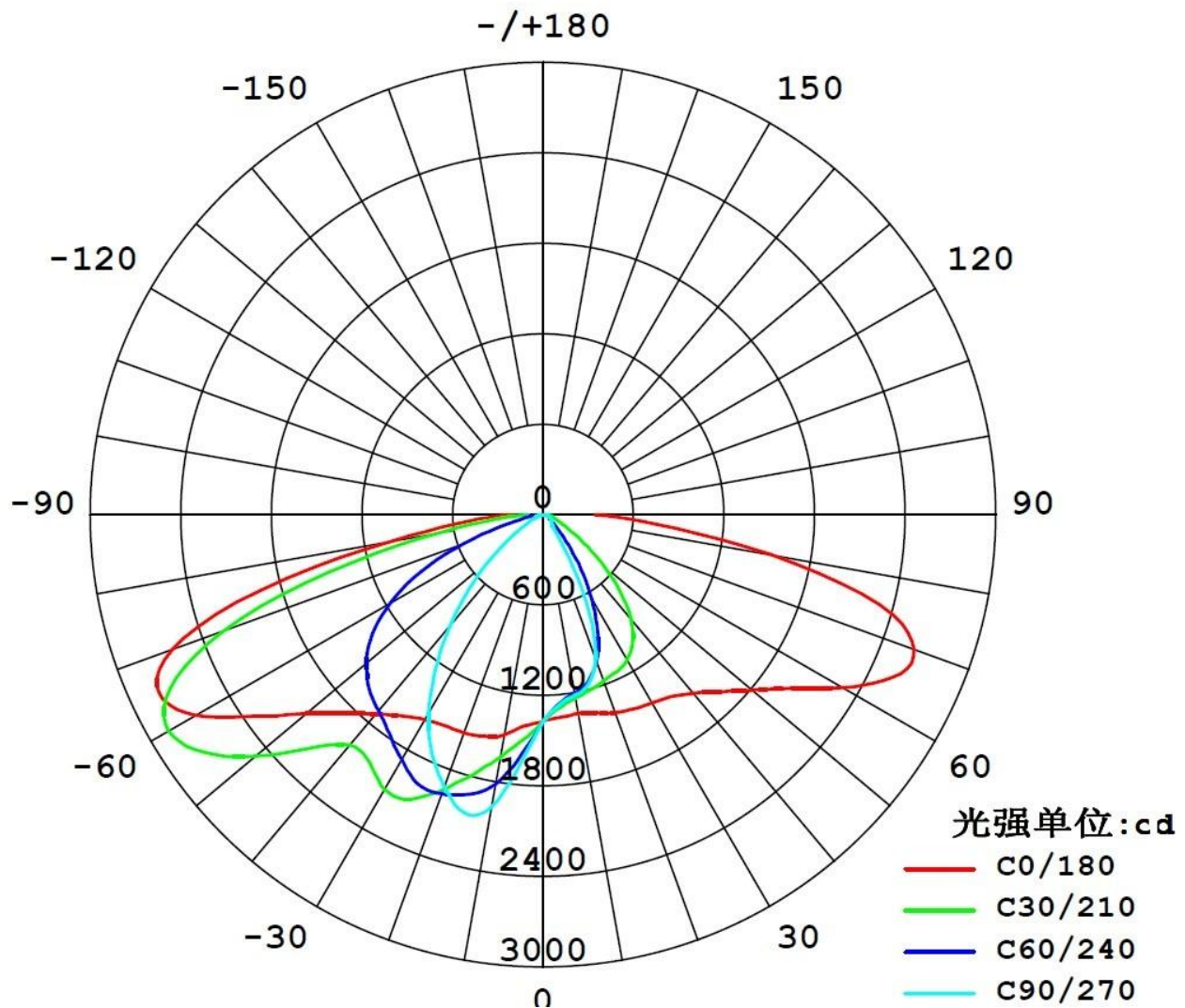
**Electrical parameter:**

Item	Model	Rated power (W)	Input voltage	Output voltage (V)	Power factor	Power supply efficiency
1	ECO650LD55(2)	55	AC85~265	66V	>0.95	>89%
2	ECO650LD66(2)	66	AC85~265	66V	>0.95	>89%
3	ECO650LD78(2)	78	AC85~265	66V	>0.95	>89%
4	ECO650LD85(2)	85	AC85~265	66V	>0.95	>89%
5	ECO650LD90(4)	90	AC85~265	66V	>0.95	>89%

**Optical parameter:**

Item	Model	LED Source type	CRI	Lumens (lm)	Whole light efficiency (lm/W)	LED efficiency (lm/W)	Remark
1	ECO650LD55(2)	Q50	70	4950	90	110-120	
2	ECO650LD66(2)	Q50	70	5940	90	110-120	
3	ECO650LD78(2)	Q50	70	7020	90	110-120	
4	ECO650LD85(2)	Q50	70	7650	90	110-120	
5	ECO650LD90(4)	Q50	70	8100	90	110-120	

## Lighting distribution:



## 4. Use and Installation

Fix the LED street light on the pole first. Connect right the out-going wire of street lights according the 4.2 requirements. After check everything is ready, connect to the powerful supply. Then the street light can work properly. he installation steps as follow:

4.1 Fix pole connector (4) with allocated rotary connector. Put the cable line inside the electric box (3) of light. Fix the light completely on the pole.

4.2 Connect the light cable line with power supply according the connecting marks.

AC Input Connecting Mark: N ⊕ L

N: Zero Line      ⊕ : Ground Line      L: Live Line

DC Input Connecting Mark: DC+ DC-

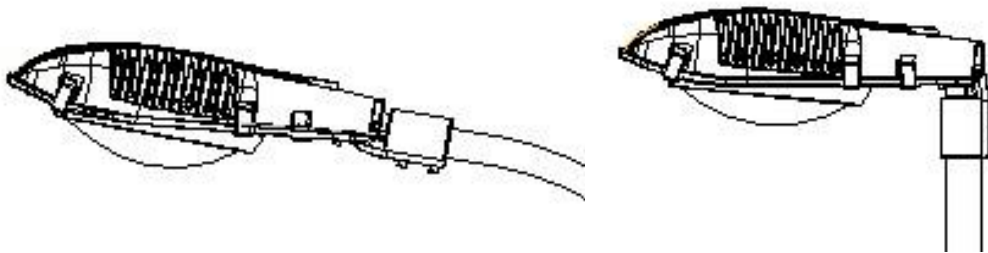
DC+: anode      DC-: cathode

K: half power control terminal (alternative when need)

K+: half power control anode; K-: half power control cathode;

4.3 Close electric box (3), screw on, pay attention: do not press on cable.

4.4 two installation method as follow



## 5. Transportation and Storage

5.1 The package for street light is carton. People should avoid serious impacting, insulating and drenching when transporting. The package cannot be serious bumped, turned over, threw, rolled or pressed.

5.2 Reserve the street light in the place which is cool, dry and clean.